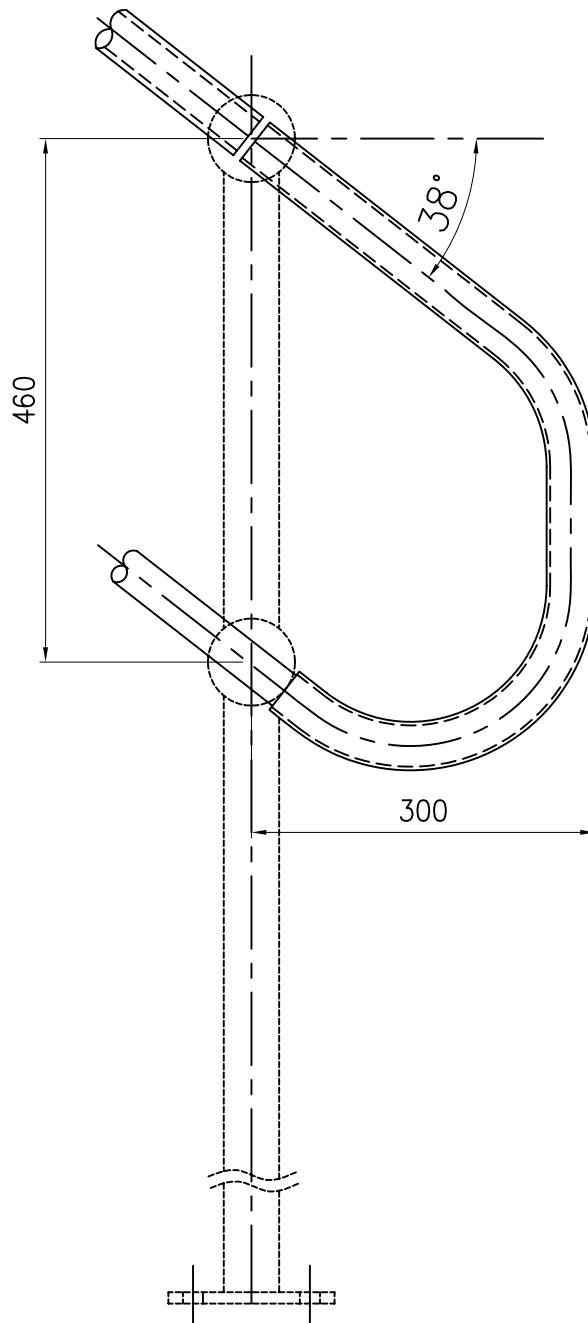


DATA SHEET

UNTREATED
ACB-38

'ACB'
38° ANGLE CLOSURE BEND



This document must not be copied without our written permission, and the contents thereof must not be imported to a third party nor be used for any unauthorised purpose.
RHINO GRATING Copyright

PROJECT		STANDARD STANCHIONS		REV.
TITLE		38° ANGLE CLOSURE BEND		C
DATE: 15.08.2009	DRAWING CHECK:	DWG SIZE /SCALE	DRAWING No.	THIRD ANGLE PROJECTION
DRAWN: BG	CLIENT APPROVED:	A4 nts	2-ACB-38-UT	