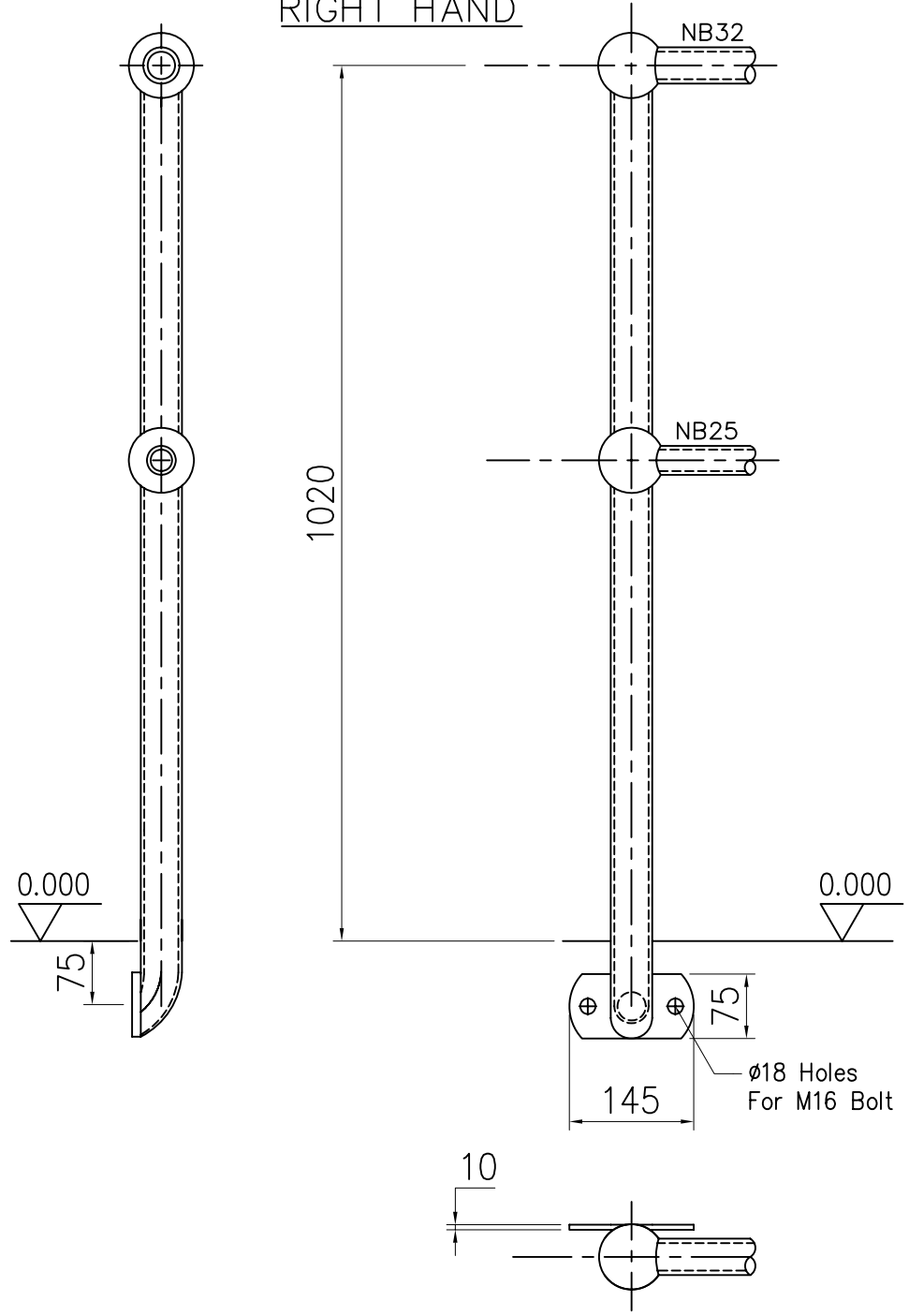


DATA SHEET

UNTREATED DOSO-RH

'S'
SIDE
DRILLED ONE SIDE ONLY
RIGHT HAND



This document must not be copied without our written permission, and the contents thereof must not be imported to a third party nor be used for any unauthorised purpose.
RHINO GRATING Copyright

PROJECT		STANDARD STANCHIONS		REV.	C
TITLE		Type 'S' SIDE MOUNTED		THIRD ANGLE PROJECTION	
DATE: 15.08.2009	DRAWING CHECK:	DWG SIZE / SCALE	DRAWING No.		
DRAWN: BG	CLIENT APPROVED:	A4 nts	2-S-DOSO-RH-UT		