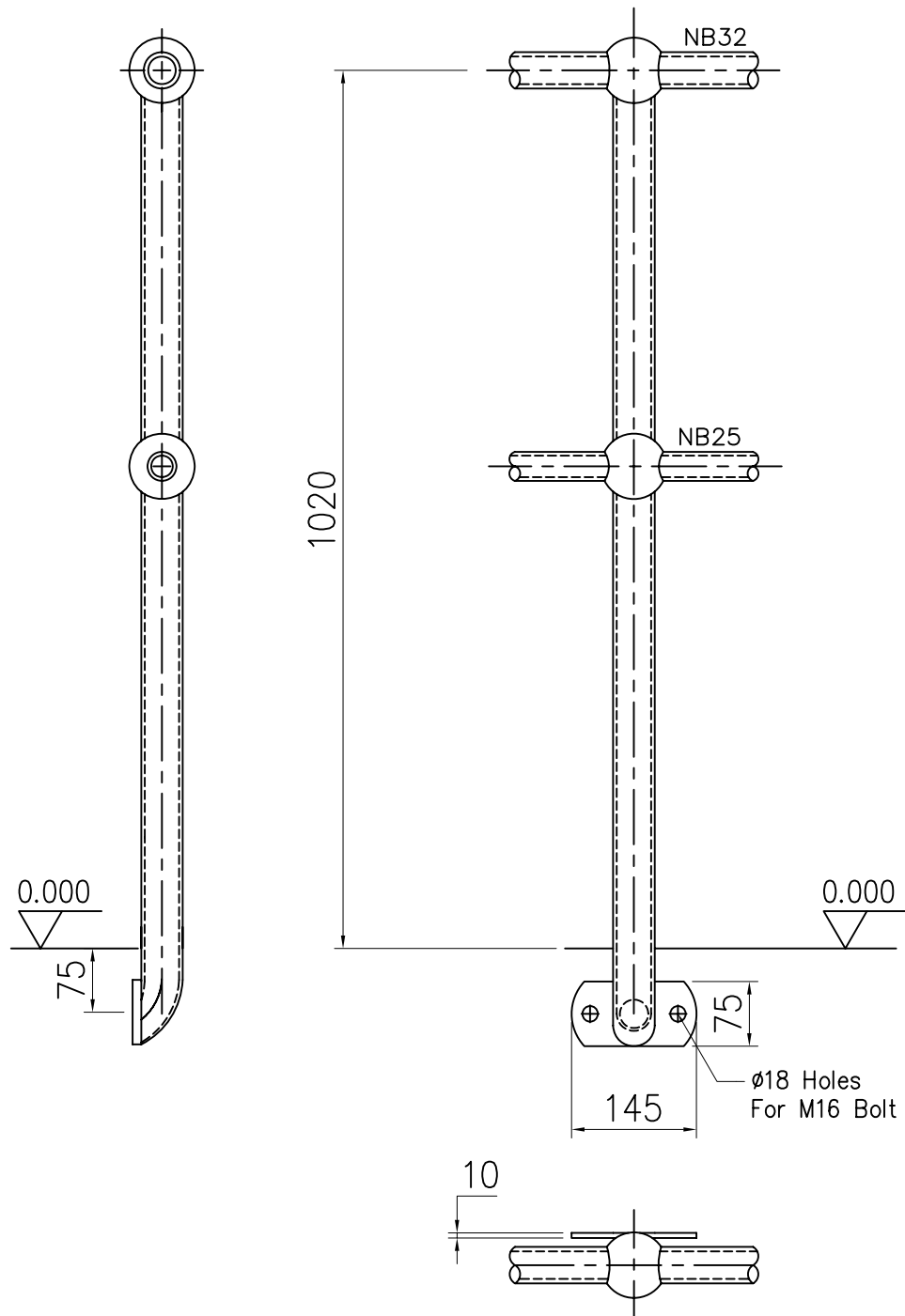


DATA SHEET

UNTREATED S

'S'
SIDE



This document must not be copied without our written permission, and the contents thereof must not be imported to a third party nor be used for any unauthorised purpose.
RHINO GRATING Copyright

PROJECT		STANDARD STANCHIONS		REV. C
TITLE		Type 'S' SIDE MOUNTED		THIRD ANGLE PROJECTION
DATE: 15.08.2009	DRAWING CHECK:	DWG SIZE / SCALE	DRAWING No.	
DRAWN: BG	CLIENT APPROVED:	A4 nts	2-S-UT	